

General Applicability

This cruise control was tested and verified on:

- 07-11 Honda Fit, Civic with ABS (AT/MT)
- 09-Nissan Cube with ABS (AT/MT)

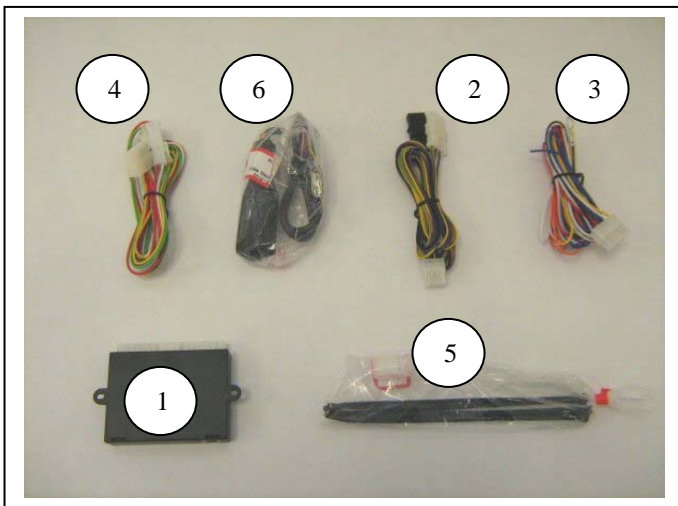
This cruise control may not function correctly on unverified vehicles. See www.rostra.com for vehicle compatibility.

Kit Contents

Item	Qty	Description	Service Part #
1	1	Cruise Control Module	250-2786
2	1	Switch Harness	250-2760
3	1	Main Wiring Harness	250-2759
4	1	Pedal Interface Harness	250-2771/ 250-2815
5	1	Hardware Kit	250-2767
6	1	Control Switch	250-3742

Contents of Hardware Bag

Qty	Description
8	Wire Zip Ties



Recommended Tools

Safety Tools	
Gloves, Safety Glasses	
Special Tools	
Volt-Ohm Meter	
Installation Tools	
Trim Removal Tool	
Side cutter	To cut wire ties
Drill Bit or Knockout Punch	9.5mm or 3/8" (for switch)
10mm wrench	
Soldering Tool	
Special Chemicals	

Conflicts

Note: Vehicles without ABS are not compatible with this cruise control.

Legend

	STOP: Damage to the vehicle may occur. Do not proceed until process has been complied with.
	OPERATOR SAFETY: Use caution to avoid risk of injury
	CRITICAL PROCESS: Proceed with caution to ensure a quality installation.
	GENERAL PROCESS: This highlights specific processes to ensure a quality installation.
	TOOLS & EQUIPMENT: This calls out the specific tools and equipment required for this process



WARNING: DO NOT USE HAND-HELD 2-WAY TRANSCEIVERS INSIDE YOUR VEHICLE WHILE DRIVING WITH CRUISE CONTROL ENGAGED.

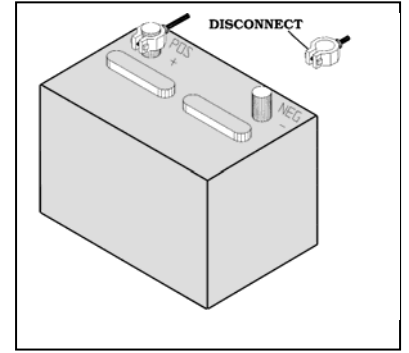
WHEN TRANSMITTING FROM INSIDE THE CAR, 2-WAY RADIOS THAT OPERATE IN THE 25 MHz - 700 MHz FREQUENCY RANGE WITH MORE THAN 2.0 WATTS OF POWER CAN PRODUCE ELECTROMAGNETIC INTERFERENCE THAT COULD INTERFERE WITH THE OPERATION OF CRUISE AND THROTTLE CONTROLS RESULTING IN VEHICLE "LIMP MODE".

Use of cell phones will not interfere with these controls.



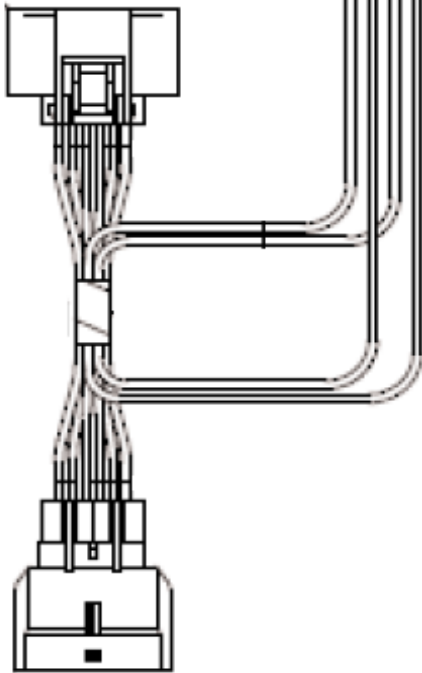
DUE TO SENSITIVE NATURE OF SIGNALS USED FOR THIS PRODUCT ALL NON PLUG AND PLAY CONNECTIONS MUST BE SOLDERED. FAILURE TO COMPLY WITH THIS REQUIREMENT WILL VOID WARRANTY.

07-11 HONDA CIVIC

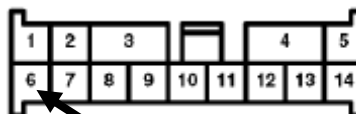
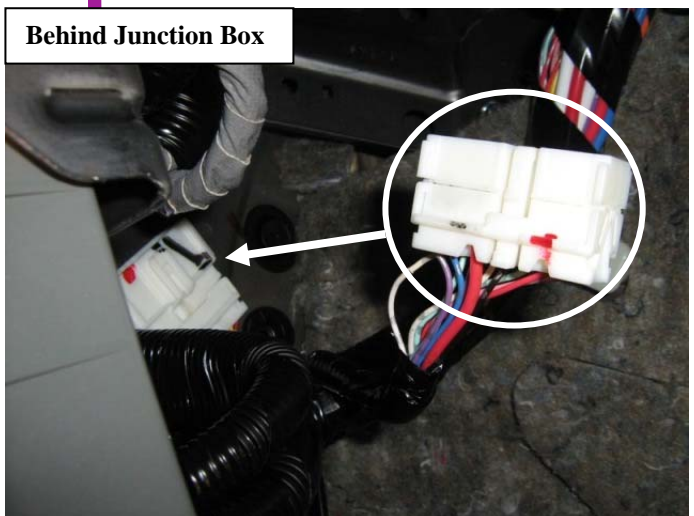


P
U
R

VSS

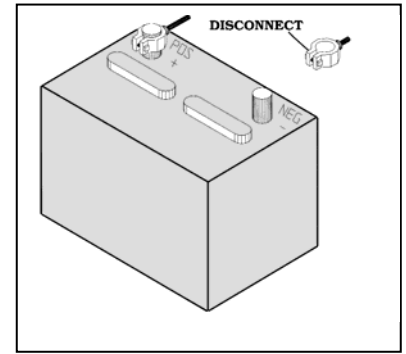


Connect to the
accelerator pedal



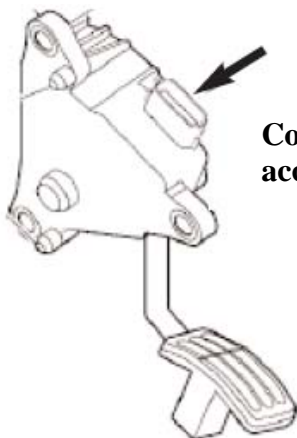
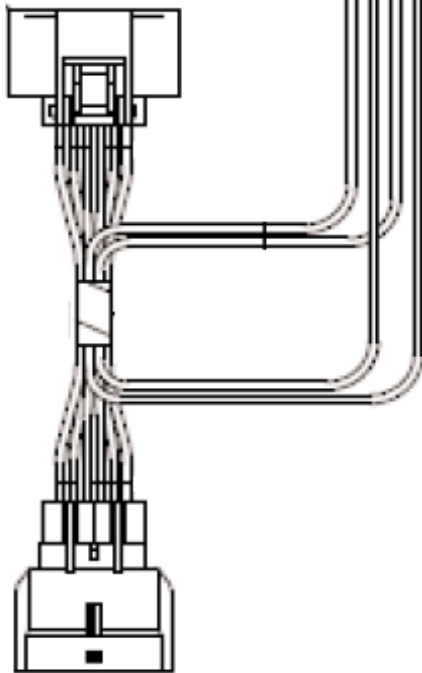
VSS PIN 6 WHITE

07-08 HONDA FIT

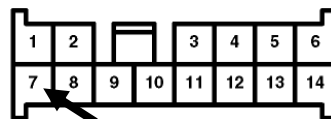
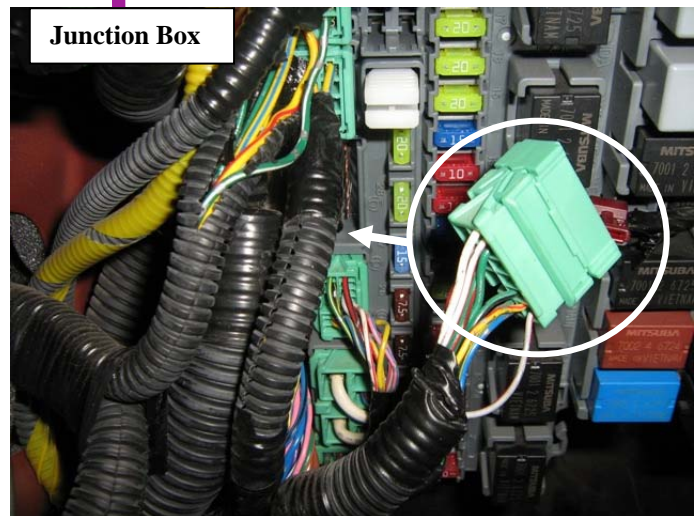


P
U
R

VSS

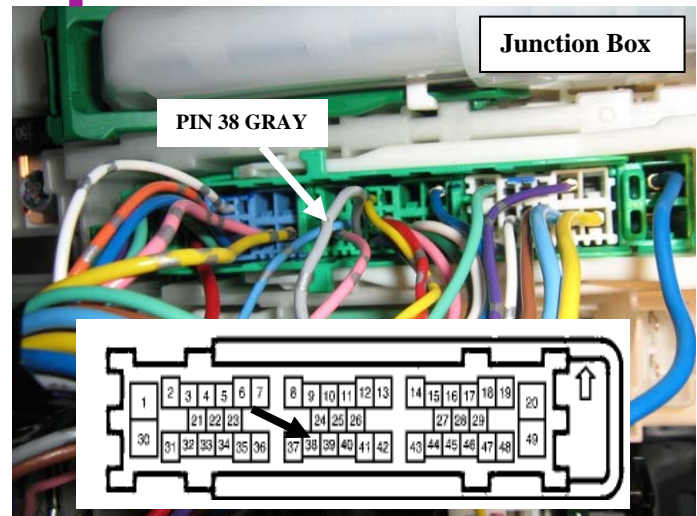
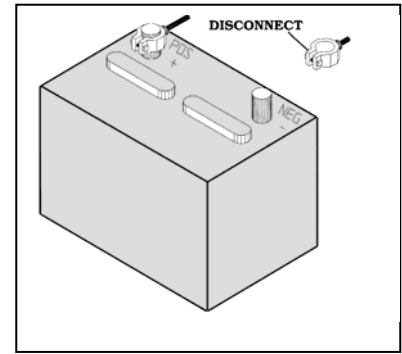
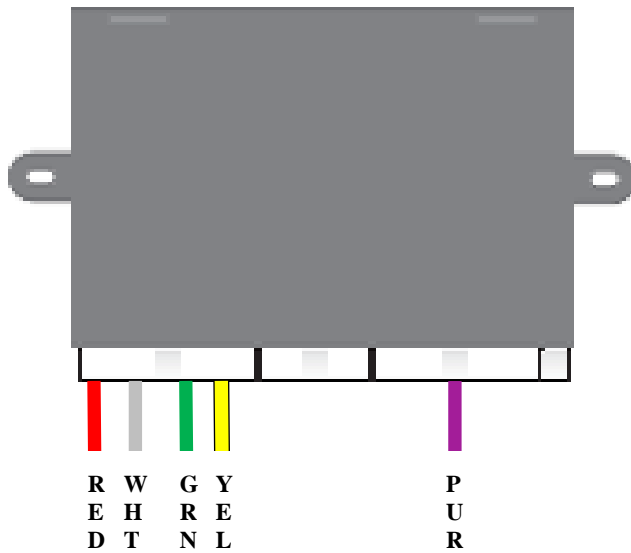


**Connect to the
accelerator pedal**

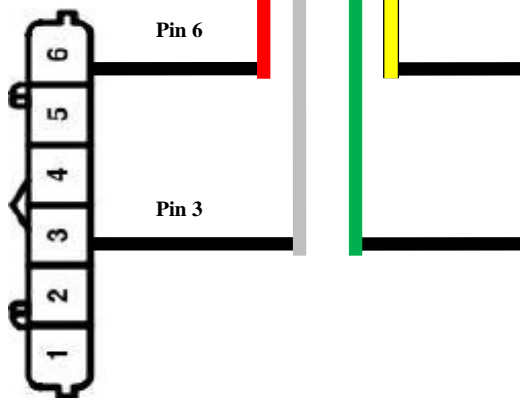


PIN 7 GRAY/ RED

09- HONDA FIT



Connect to the accelerator pedal

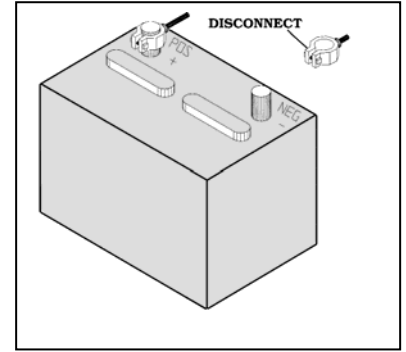
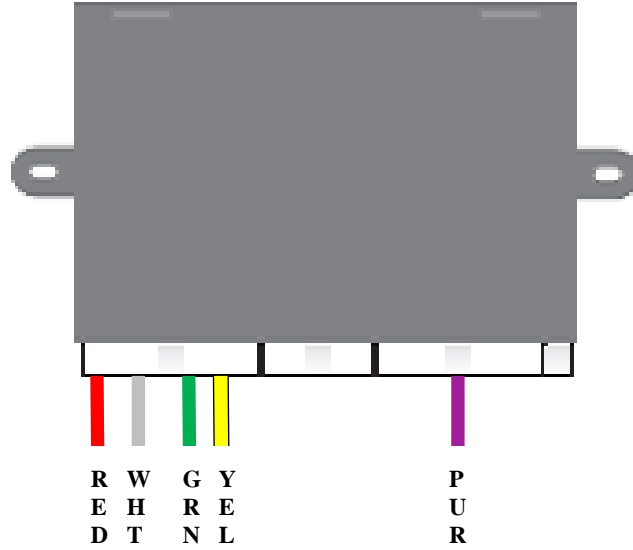


Cut wires at pins 3 and 6 of the accelerator pedal harness and solder connections using the chart below:

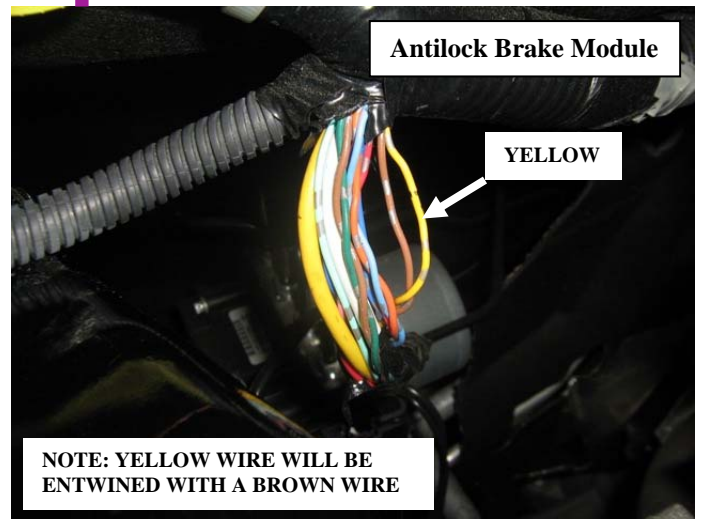
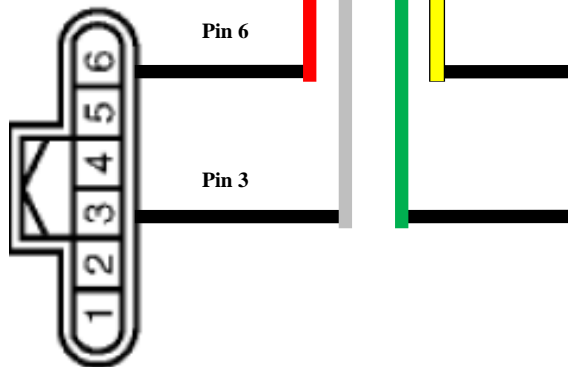
09- FIT CONNECTIONS

Splice & Solder Direction	Cruise Harness Color	Vehicle Wire
CONNECTOR	RED	LIGHT BLUE PIN6
CONNECTOR	WHITE	ORANGE PIN 3
HARNESS	YELLOW	LIGHT BLUE PIN 6
HARNESS	GREEN	ORANGE PIN 3

09- NISSAN CUBE



**Connect to the
accelerator pedal**



Cut wires at pins 3 and 6 of the accelerator pedal harness and solder connections using the chart below:

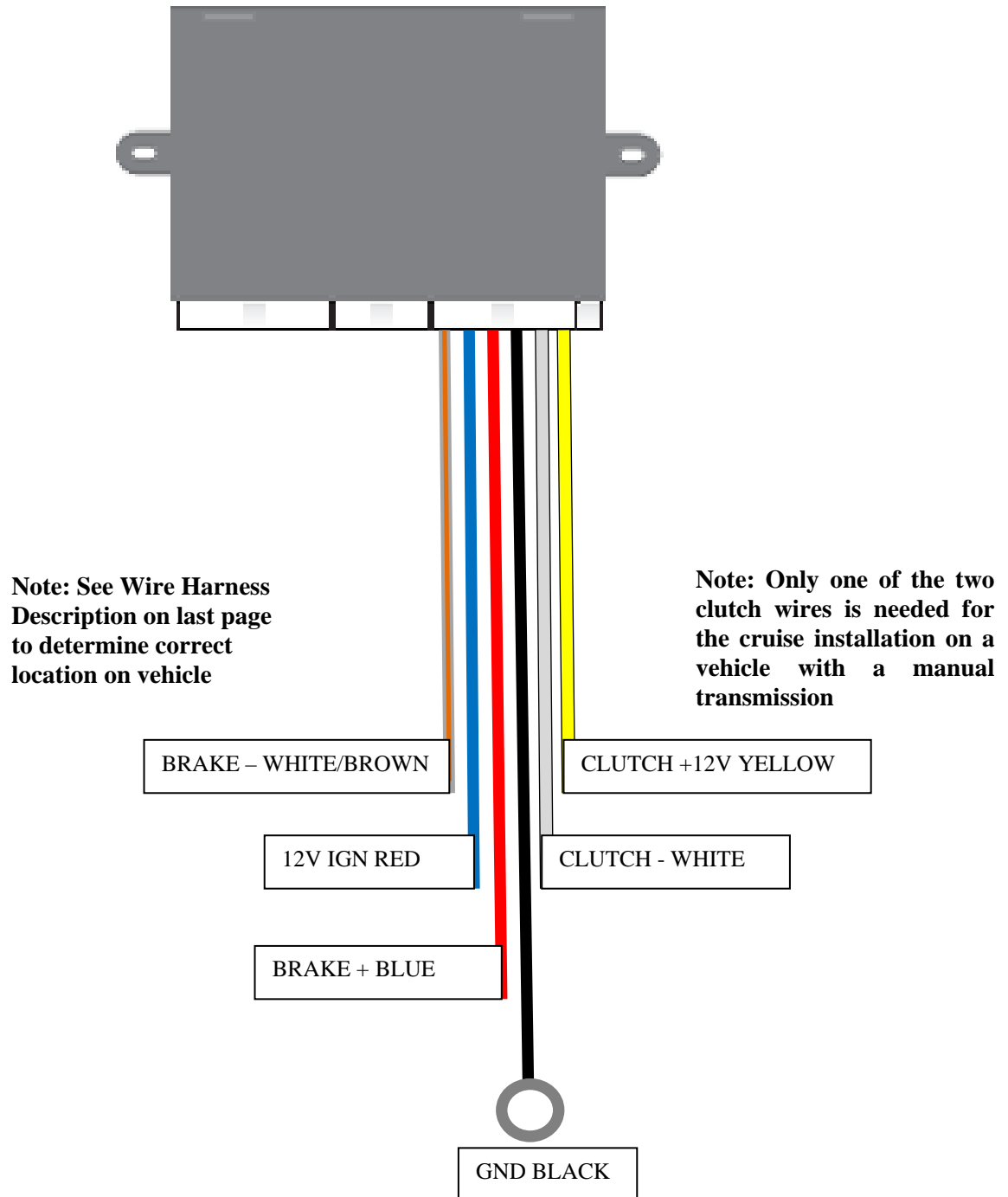
CUBE CONNECTIONS

Splice & Solder Direction	Cruise Harness Color	Vehicle Wire
CONNECTOR	RED	GREEN PIN 6
CONNECTOR	WHITE	BROWN PIN 3
HARNESS	YELLOW	GREEN PIN 6
HARNESS	GREEN	BROWN PIN 3

C. Wiring Connections (See Wiring Harness Description on last page)



1. The Main Wiring Harness connection locations are not listed for some vehicles in these instructions. Use the following wiring diagram with **Wiring Harness Description** on page 13 to make the following connections:



**2007-2011 MULTIPLE MAKES AND MODELS
MIXED TRANSMISSION COMPATIBILITY**

**ELECTRONIC CRUISE CONTROL KIT
PART NUMBER: 250-1855**

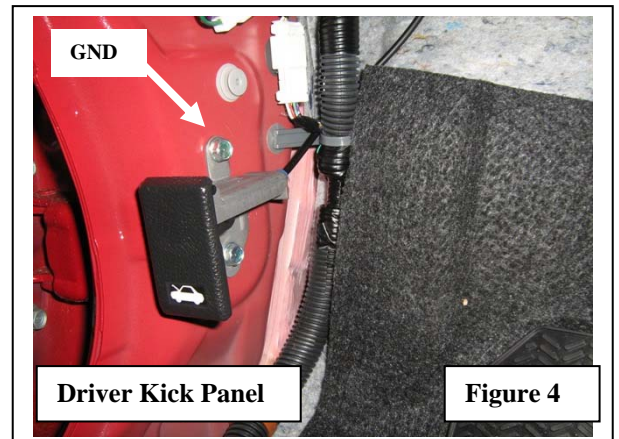
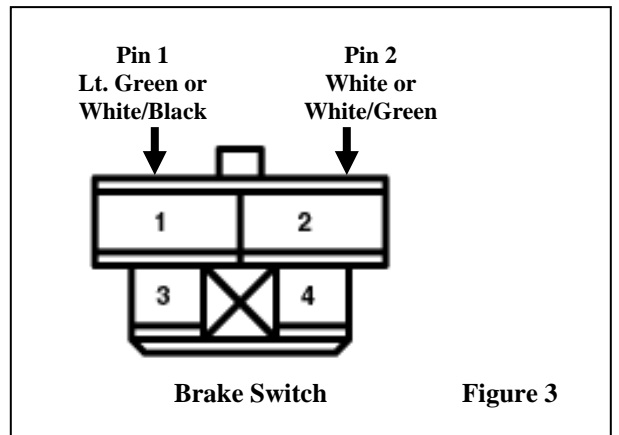
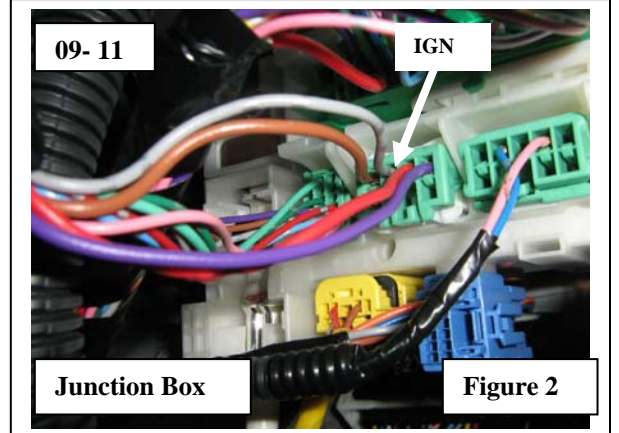
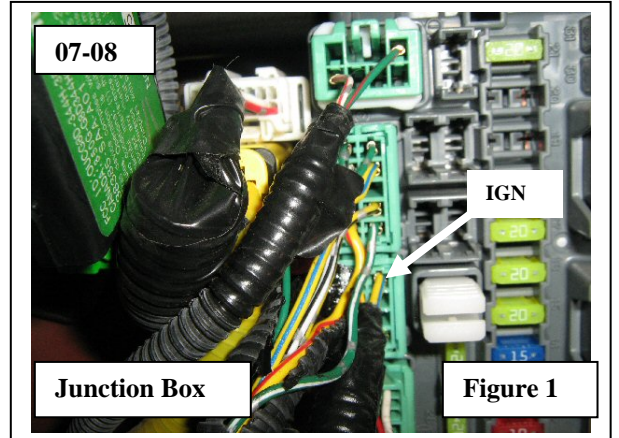
E. Honda Fit Wiring Connections (It is advisable use solder for all wiring connections)

1. Locate the following wires to connect to the main harness from the control module:

Function	See Fig.	Vehicle Color
IGN	1,2	YELLOW/BLUE OR RED
BRAKE +	3	WHITE OR WHITE/GREEN
BRAKE -	3	LT.GREEN OR WHITE/BLACK
GROUND	4	GROUND POINT
CLUTCH SWITCH		PAGE 7

2. Connect the Main Harness to vehicle wire by using the chart below.

Function	Cruise Harness Color	Vehicle Wire
IGN	RED	FIGURE 1 & 2
BRAKE +	BLUE	FIGURE 3
BRAKE -	WHITE/BROWN	FIGURE 3
VSS	VIOLET	FIGURE 5 & 6
CLUTCH SWITCH	WHITE OR YELLOW	PAGE 7



F. 07-11 Honda Civic Wiring Connections (It is advisable use solder for all wiring connections)



1. Locate the following wires to connect to the main harness from the control module:

Function	See Fig.	Vehicle Color
IGN	1	RED
BRAKE +	2	WHITE
BRAKE -	2	LT. GREEN
GROUND	3	GROUND POINT
CLUTCH SWITCH		PAGE 5

2. Connect the Main Harness to vehicle wire by using the chart below:

Function	Cruise Harness Color	Vehicle Wire
IGN	RED	RED
BRAKE +	BLUE	WHITE
BRAKE -	WHITE/BROWN	LT. GREEN
GROUND	BLACK	GROUND POINT
CLUTCH SWITCH	WHITE OR YELLOW	PAGE 5

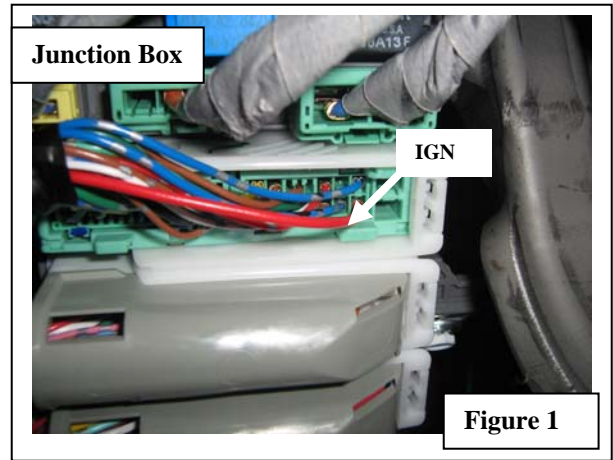


Figure 1

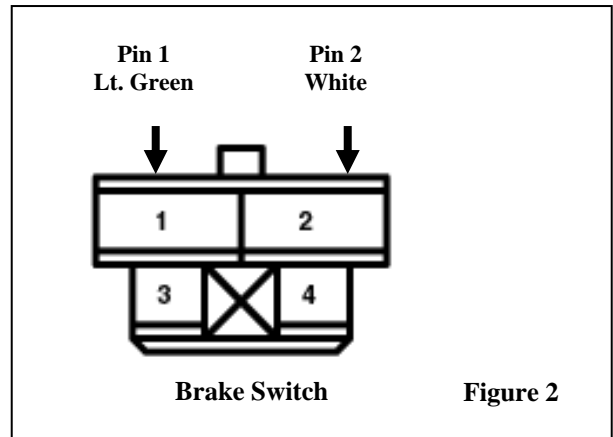


Figure 2

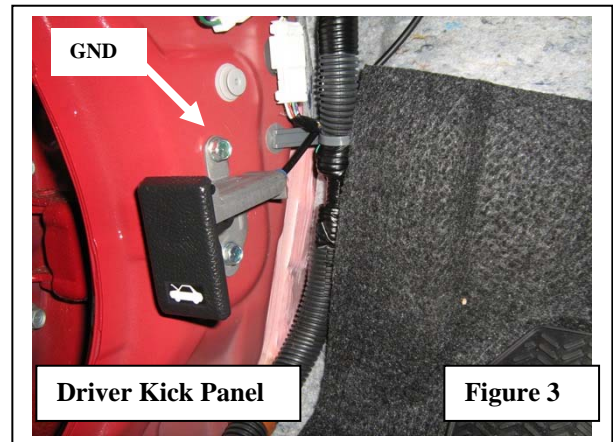






Figure 3


G. Install Control Switch

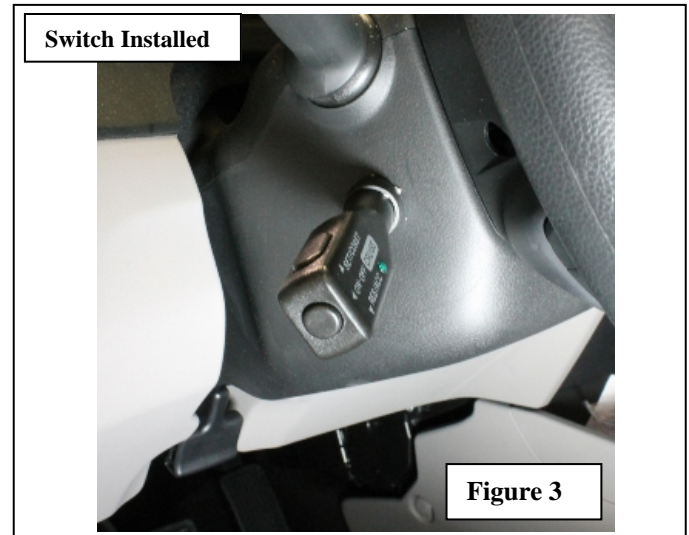
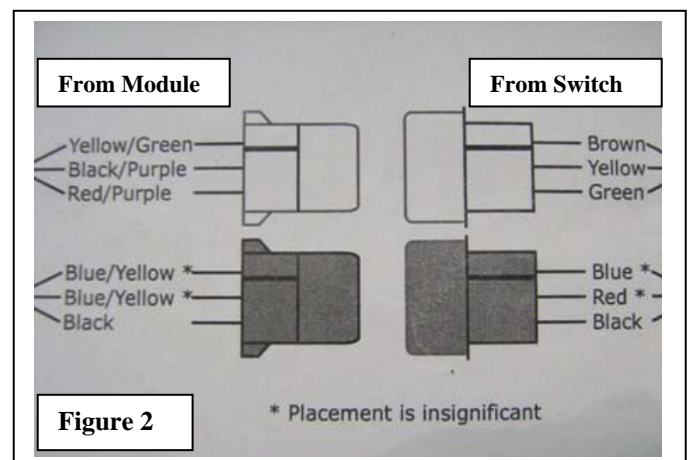
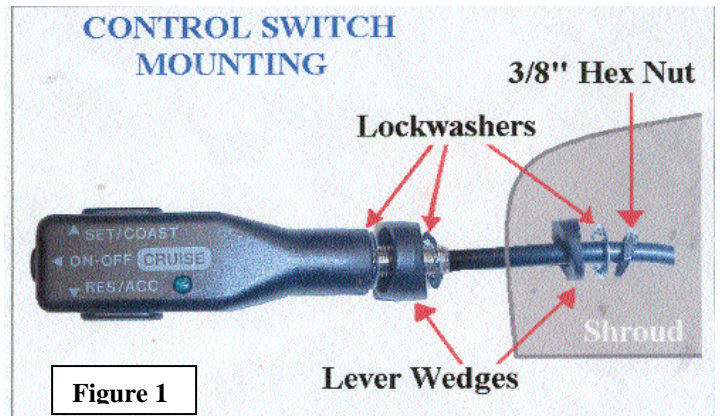
-  1. Use the **lever wedges** on the **Control Switch** at an angle template to drill a 3/8" or 9.5mm hole in the lower shroud of the steering column cover. Position lock-washers as shown. **Figure 1**
-  2. Apply nut and position **Control Switch** for driver's best view.
- 3. Assemble (2) 3-pin connectors from the sack parts to the mating wire colors on the **Control Switch Harness**. Use the diagram to mate the **module harness** to **switch harness**. **Figure 2**
- 4. Route the assembled **Control Switch Harness** to the mating connector of the **Cruise Control module**.
- 5. Secure the **Control Switch Harness** with zip ties away from moving parts.

H. Testing

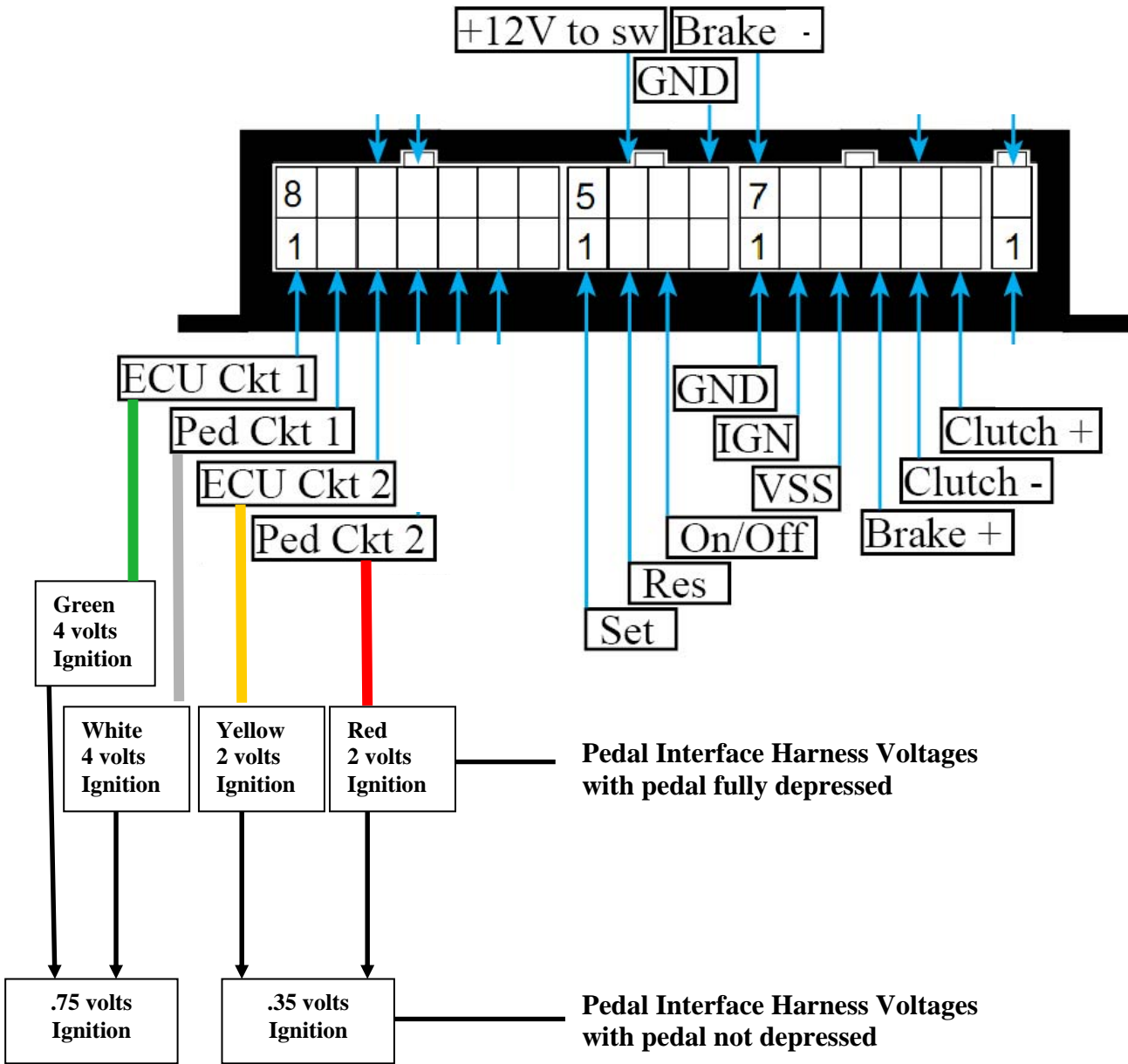
-  1. Reconnect negative battery cable and torque to 35 in*lbs. Reenter anti-theft radio codes.
-  2. Turn ignition on. Apply the on/off button of Cruise Control Switch.

K. Reassembly

-  1. Reinstall all removed pieces taking care to ensure harnesses and wiring connections are properly secured.
- 2. Make sure all harnesses are not pinched or bound by trim pieces

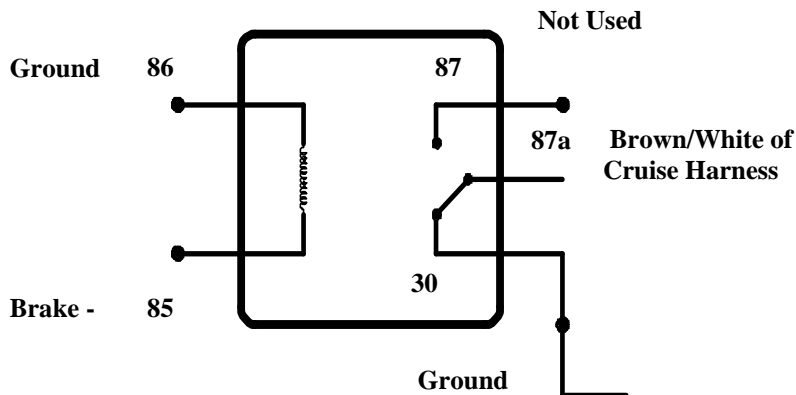


Section II - Wiring Diagram



Function	Color	Results	Fault Conditions
Ignition	Red	+12V when switched on and +0V when switched off. Ignition must be greater than +10V while cranking vehicle.	No power, voltage drop, or intermittent connection will cause Loss of pedal or "Limp Mode" condition.
Brake positive +	Blue	"Hot" side of brake switch. +12V all the time.	Cruise will not function if this connection is not installed correctly.
Brake negative -	Brown/White	"Cold" side of Brake switch. Zero (0) resistance to ground when brake is not pressed. +12V when brake is pressed.	Cruise will not function if this connection is not installed correctly. If connection is good, and there is a high resistance to ground, a 5 terminal relay will be required to complete installation. See diagram below.
Ground	Black	Lowest resistance to ground closest to zero (0) ohms as possible. Use a vehicle ground point where other ground wires are connected to.	A bad ground connection will cause the following conditions: Cruise will not function; Loss of pedal or "Limp Mode" condition.
Clutch (GND triggered)	White	Ground active wire at switch when clutch is depressed.	Cruise will not function if wrong wire is connected –OR– ⚠️ Cruise will not disengage when clutch is depressed.
Clutch (+12V triggered)	Yellow	+12V active wire at switch when clutch is depressed.	Cruise will not function if wrong wire is connected –OR– ⚠️ Cruise will not disengage when clutch is depressed.

5 Terminal Relay for Brake Switch



TECHNICAL TIPS

Control Switch Test

1. Be sure terminals are fully inserted a white and black 3pin connectors before performing switch test.

Yellow/Green wire at control module	On/Off: +12 volts press on, 0 volts press off
Purple/Red wire at control module	Set/Coast: +12 volts press and hold set
Purple/Black wire at control module	Resume/Acc: +12 volts press and hold resume
Red & Blue wire at black 3pin connector	+10-12 volts
Black wire at black 3pin connector	Less than 5 ohms resistance to ground