

PART NUMBER: 250-1873



GENERAL APPLICABILITY

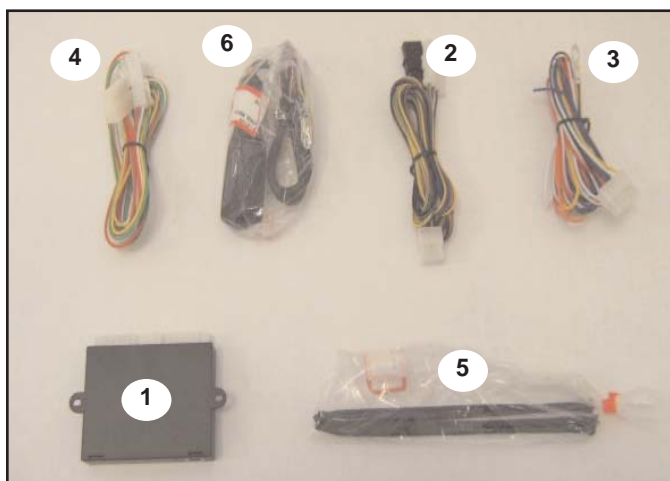
ALL MODELS

KIT CONTENTS/SERVICE PARTS

ITEM	QTY	DESCRIPTION	PART#
1	1	CRUISE CONTROL MODULE	250-2791
2	1	SWITCH HARNESS	250-2760
3	1	MAIN WIRING HARNESS	250-2759
4	1	PEDAL INTERFACE HARNESS	250-2790
5	1	HARDWARE KIT	250-2767
6	1	CONTROL SWITCH	250-3742

1-800-343-1382







Please call for technical assistance. You will need your invoice number.



HARDWARE BAG CONTENTS

ITEM	QTY	DESCRIPTION
1	8	WIRE ZIP TIES
2	1	CLUTCH SWITCH
3	1	CLUTCH SWITCH HARNESS

LEGEND

-  **STOP:** DAMAGE TO VEHICLE MAY OCCUR. DO NOT PROCEED UNTIL PROCESS COMPLIANCE HAS BEEN MET.
-  **OPERATOR SAFETY:** USE CAUTION TO AVOID RISK OF INJURY.
-  **CRITICAL PROCESS:** PROCEED WITH CAUTION TO ENSURE A QUALITY INSTALLATION. THESE POINTS WILL BE AUDITED ON A COMPLETED VEHICLE INSTALLATION.
-  **GENERAL PROCESS:** THIS HIGHLIGHTS SPECIFIC PROCESSES TO ENSURE A QUALITY INSTALLATION. THESE POINTS WILL BE AUDITED DURING THE ACCESSORY INSTALLATION.
-  **TOOLS & EQUIPMENT:** THIS CALLS OUT THE SPECIFIC TOOLS AND EQUIPMENT REQUIRED FOR THE PROCESS.
-  **REVISION MARK:** THIS MARK HIGHLIGHTS A CHANGE IN INSTALLATION WITH RESPECT TO PREVIOUS ISSUE.



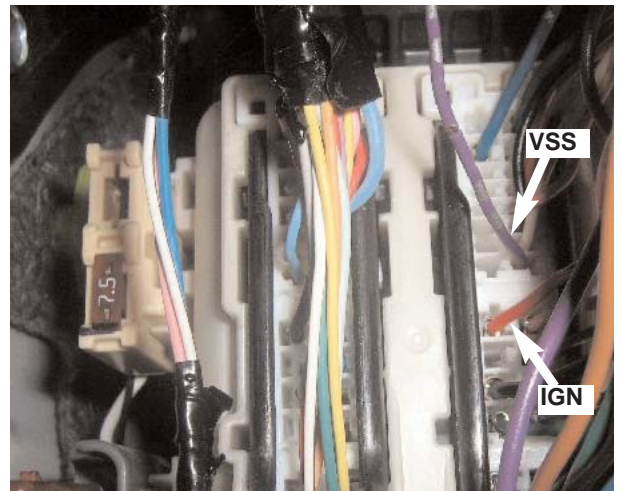
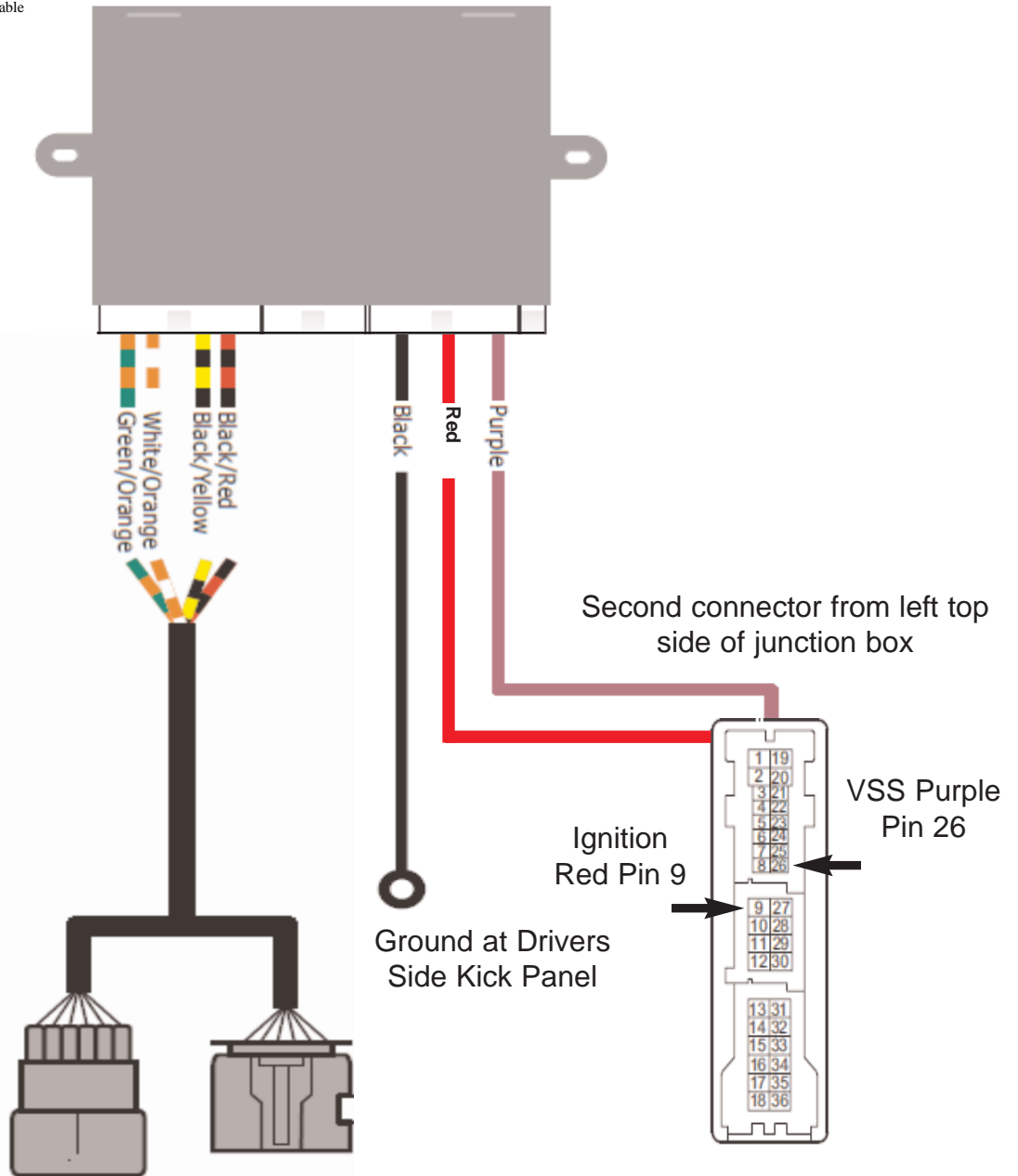
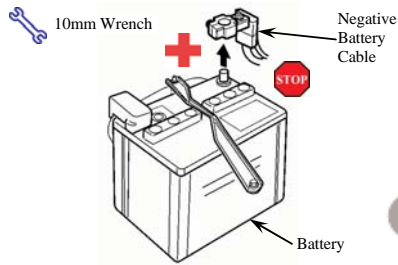
CAUTION: DO NOT USE HAND-HELD 2-WAY TRANSCEIVERS INSIDE YOUR VEHICLE WHILE DRIVING.

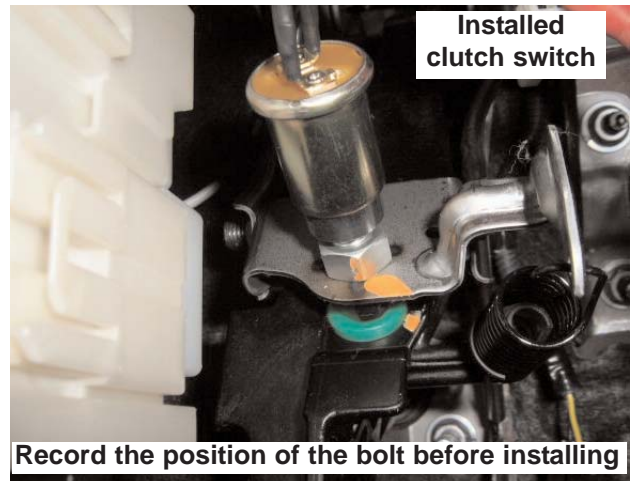
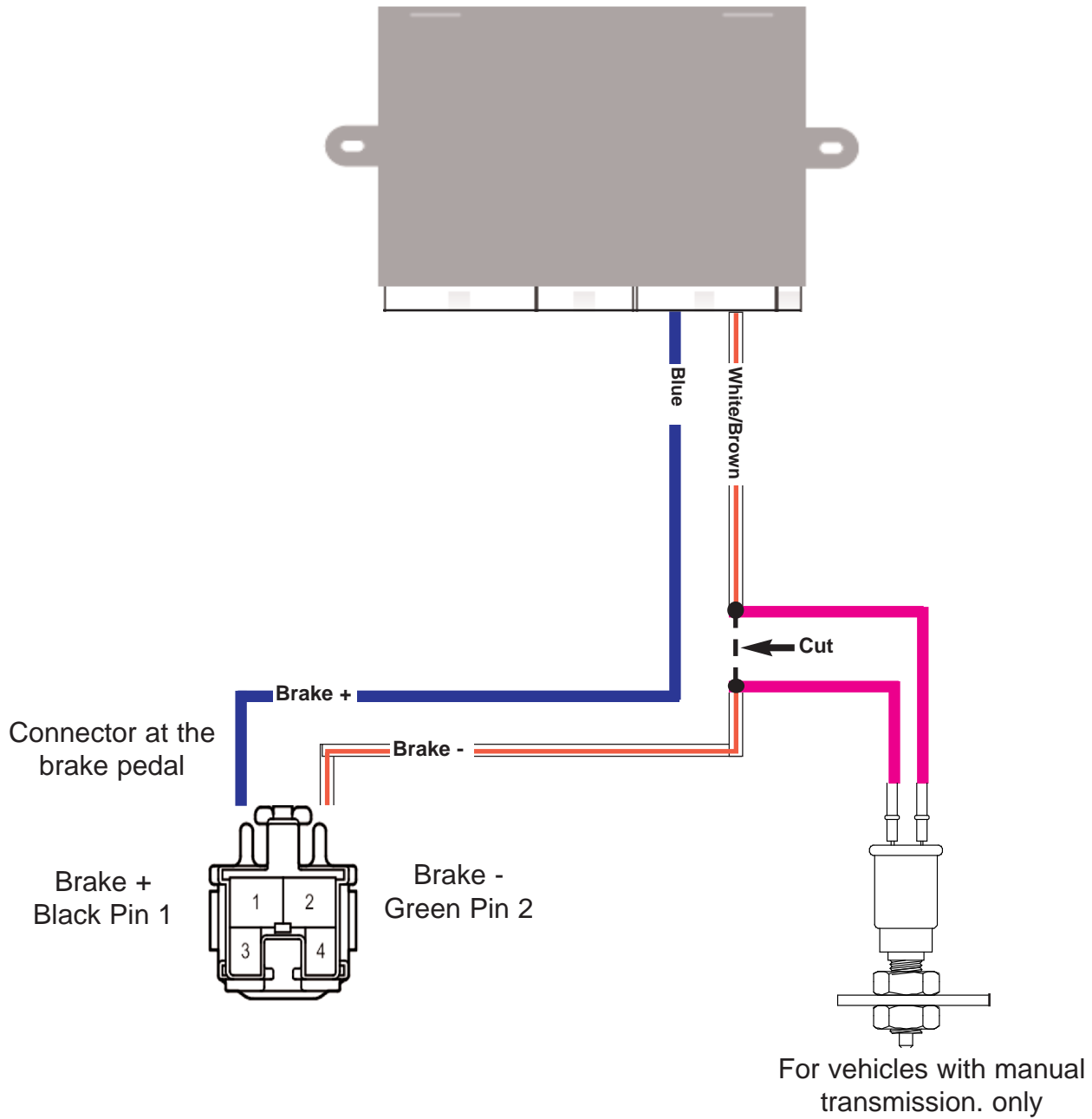
Rostra does not recommend the use of 2-way hand held commercial radios (more than 2 watts of power) inside your Yaris while driving and using the cruise control. The computer (ecu) in the vehicle may interpret the transmitting signal from your radio as a potential engine problem which may cause the vehicle to go into "limp mode" which limits vehicle speed. See your Toyota dealer for information on "limp mode" and your Toyota Owner's Manual regarding installation and use of mobile 2-way radio systems.

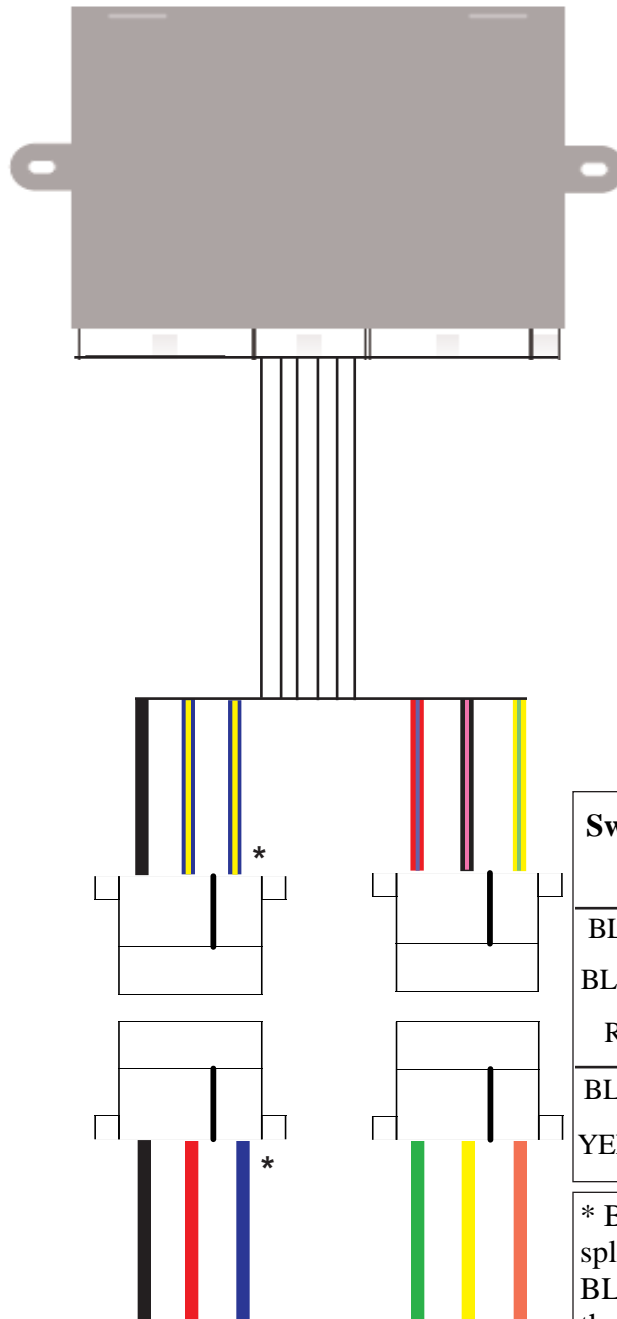
USE OF CELLULAR PHONES WILL NOT INTERFERE WITH THESE CONTROLS.



DUE TO SENSITIVE NATURE OF SIGNALS USED FOR THIS PRODUCT, ALL NON-PLUG AND PLAY CONNECTIONS MUST BE SOLDERED. FAILURE TO COMPLY WITH THIS REQUIREMENT WILL VOID WARRANTY.

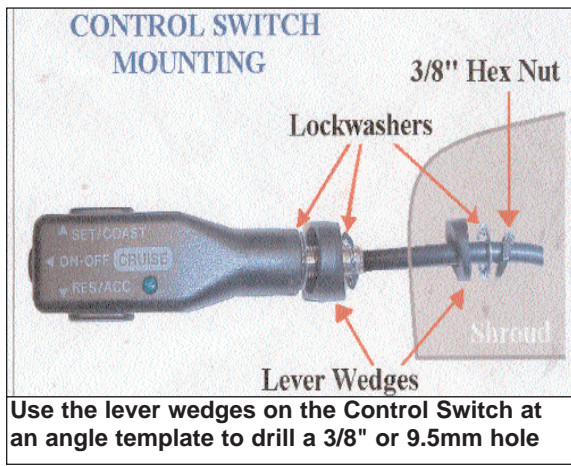




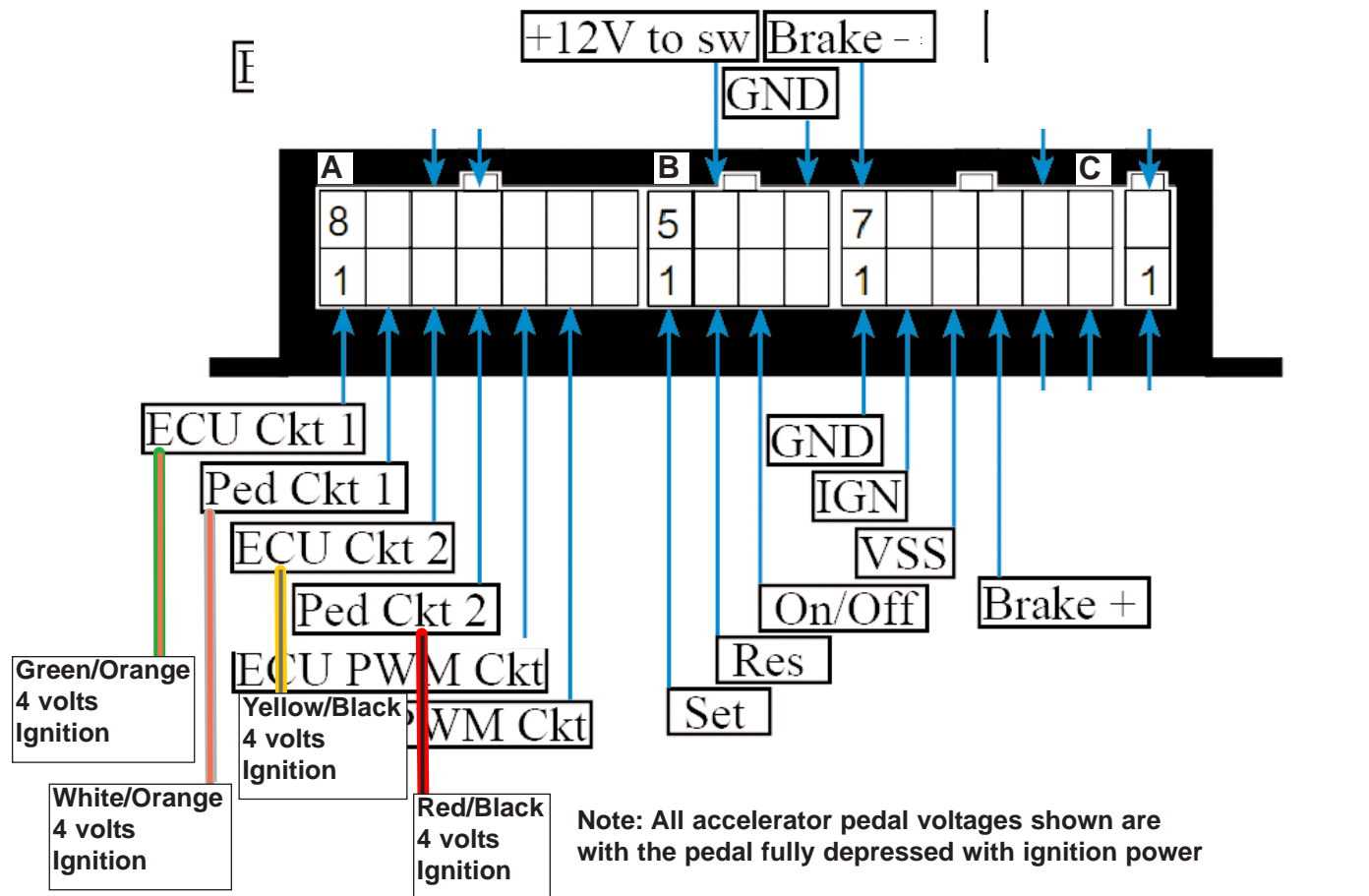


Switch Harness	Rostra Switch
BLACK	BLACK
BLUE/YELLOW	RED
BLUE/YELLOW*	BLUE*
RED/PURPLE	GREEN
BLACK/PURPLE	YELLOW
YELLOW/GREEN	BROWN

* Both Blue/Yellow wires are spliced together. Just connect one BLU/YEL wire to the BLUE, and the other to the RED. The order does not matter.



Use the lever wedges on the Control Switch at an angle template to drill a 3/8" or 9.5mm hole



PIN	COLOR	DESIRED RESULTS	FAULT CONDITION
2C	RED	+12V WHEN SWITCHED ON AND +0V WHEN SWITCHED OFF. IGNITION MUST BE GREATER THAN +10V WHILE CRANKING VEHICLE.	NO POWER, VOLTAGE DROP, OR INTERMITTENT CONNECTION WILL CAUSE LOSS OF PEDAL OR "LIMP MODE" CONDITION.
4C	BLUE	"HOT SIDE OF BRAKE SWITCH. +12V ALL THE TIME.	CRUISE WILL NOT FUNCTION IF THIS CONNECTION IS NOT INSTALLED CORRECTLY.
7C	BROWN/WHITE	"COLD" SIDE OF BRAKE SWITCH. ZERO (0) RESISTANCE TO GROUND WHEN BRAKE IS NOT PRESSED.	CRUISE WILL NOT FUNCTION IF THIS CONNECTION IS NOT INSTALLED CORRECTLY. IF CONNECTION IS GOOD, AND THERE IS A HIGH RESISTANCE TO GROUND, A 5 TERMINAL RELAY WILL BE REQUIRED TO COMPLETE INSTALLATION. SEE DIAGRAM ON NEXT PAGE.
3C	PURPLE	VEHICLE SPEED SENSOR CIRCUIT	CRUISE WILL NOT FUNCTION IF THIS CONNECTION IS NOT INSTALLED CORRECTLY. CRUISE WILL ACCELERATE IF THERE IS AN INTERMITTENT CONNECTION.
1C	BLACK	LOWEST RESISTANCE TO GROUND AND CLOSEST TO ZERO (0) OHMS AS POSSIBLE. USE A VEHICLE GROUND POINT WHERE OTHER GROUND WIRES ARE CONNECTED TO.	A BAD GROUND CONNECTION WILL CAUSE THE FOLLOWING CONDITIONS: CRUISE WILL NOT FUNCTION, LOSS OF PEDAL OR "LIMP MODE" CONDITION.
1B	GREEN	SET/COAST: 12V PRESS AND HOLD SET	CRUISE WILL NOT SET IF THIS CONNECTION IS NOT INSTALLED CORRECTLY.
2B	YELLOW	RESUME/ACCEL: 12V PRESS AND HOLD RESUME	CRUISE WILL NOT RESUME OR ACCEL IF THIS CONNECTION IS NOT INSTALLED CORRECTLY.
3B	BROWN	ON/OFF: 12V PRESS ON	CRUISE WILL NOT SET IF THIS CONNECTION IS NOT INSTALLED CORRECTLY.
6B	RED AND BLUE	12V	CRUISE LIGHT WILL NOT COME ON IF THESE CONNECTIONS ARE NOT INSTALLED CORRECTLY.
8B	BLACK	(0) OHMS RESISTANCE TO GROUND	

5 Terminal Relay for Brake Switch if needed

